

Function

A circular pattern of individual sprays with an outstanding visual effect. The spray appears lacy by day and sparkles when illuminated by night. Adjustable nozzles permit infall, straight or outfall pattern. Not water level dependent.

Specification

Construction shall be extruded PVC with individually adjustable DEFO brass nozzles with inlet fittings, plugs and four copper legs as required.

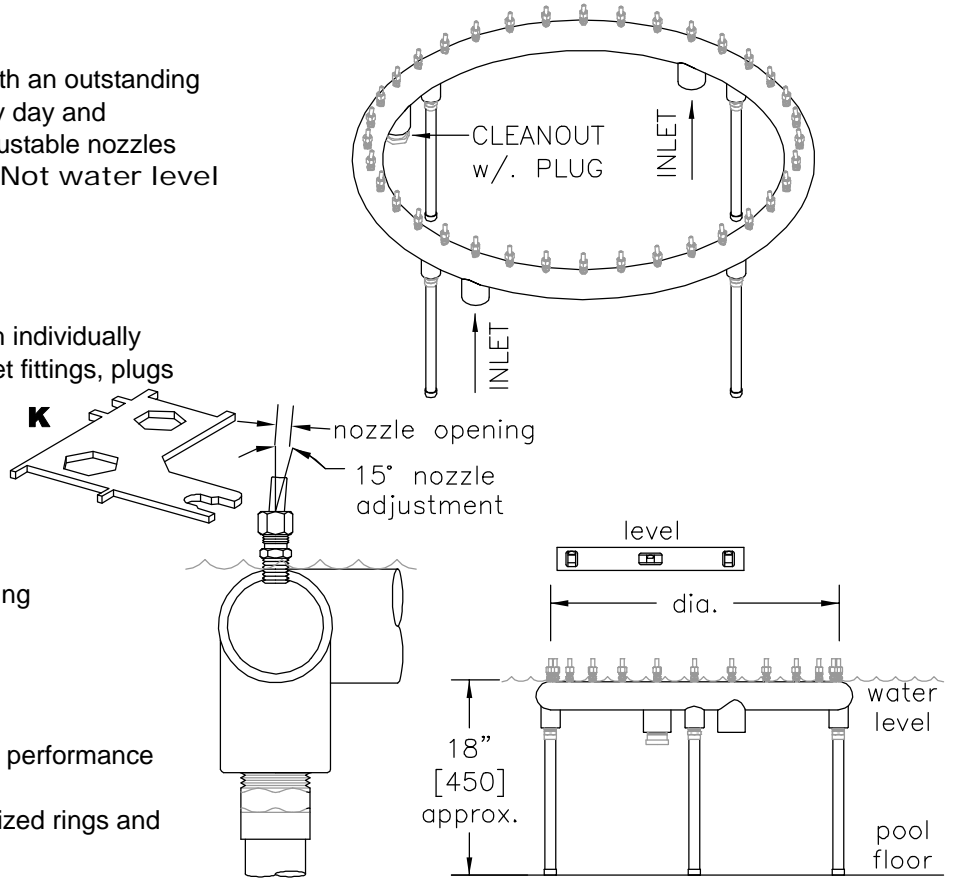
Options

Add suffix:

- B - red brass ring
- F - reinforced fibreglass wrapped PVC ring
- K - security key (nozzle adjustment)

Notes

1. Requires fine screening at pump (see performance chart)
2. Contact Crystal Fountains for customized rings and bars (all shapes and sizes)



Performance

DEFO no.	dia.	inlet (s) n.p.t. / b.s.p.	no. of jets	pipe dia.	spray height															
						head	2'	3'	4'	5'	6'	8'	10'	12'	14'					
fine spray 1/8" nozzles (opening = .125") suction strainer openings required 0.065"	NSR122	1'	1"	16	1"	US gpm	7	8	10											
	NSR222	2'	1" x 2	22	1 1/4"		9	11	13											
	NSR322	3'	1 1/4" x 2	47	1 1/4"		19	24	28	33	38									
	NSR422	4'	1 1/4" x 2	50	1 1/2"		20	25	30	35	40									
	NSR522	5'	1 1/4" x 2	56	1 1/2"		23	28	34	40	45	56								
	NSR622	6'	1 1/4" x 3	75	2"		30	38	45	53	60	75								
	NSR822	8'	1 1/4" x 4	113	2"		45	57	68	79	90	113	125							
heavier spray 1/4" nozzles (opening = .187") suction strainer openings required 0.090"	NSR223	2'	1 1/4"	24	2"	US gpm	25	35	48	52	55									
	NSR323	3'	1 1/4" x 2	36	2"		30	50	72	78	86									
	NSR423	4'	1 1/2" x 2	48	2"		45	70	96	106	120									
	NSR523	5'	1 1/2" x 2	60	2"		53	84	114	122	130	146								
	NSR623	6'	1 1/2" x 3	72	2"		60	96	132	144	162	174								
	NSR823	8'	1 1/2" x 4	84	2 1/2"		80	124	168	184	200	226	244	260	278					

PROPRIETARY AND CONFIDENTIAL THE INFORMATION CONTAINED IN THIS DRAWING IS THE SOLE PROPERTY OF CRYSTAL FOUNTAINS. ANY REPRODUCTION IN PART OR AS A WHOLE WITHOUT THE WRITTEN PERMISSION OF CRYSTAL FOUNTAINS IS PROHIBITED.		SHOP DRAWING NSR-D101		
www.crystalfountains.com Crystal Fountains	SPRAY RING		SERIES NSR	REV. F
TEL. (905) 660-6674	FAX. (905) 660-6916	12.1.2003		