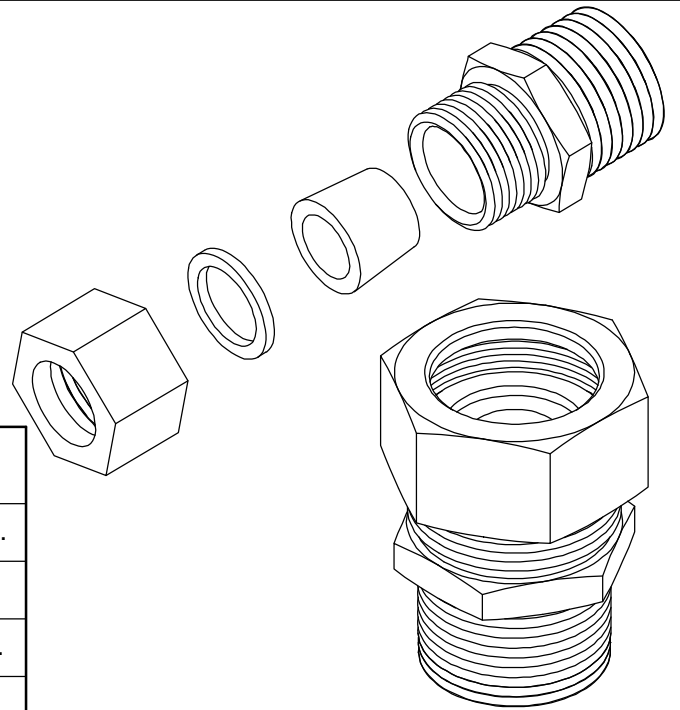


## Function

For watertight connections of underwater cables connecting junction boxes with lights, water level sensors and pumps.

## Specification

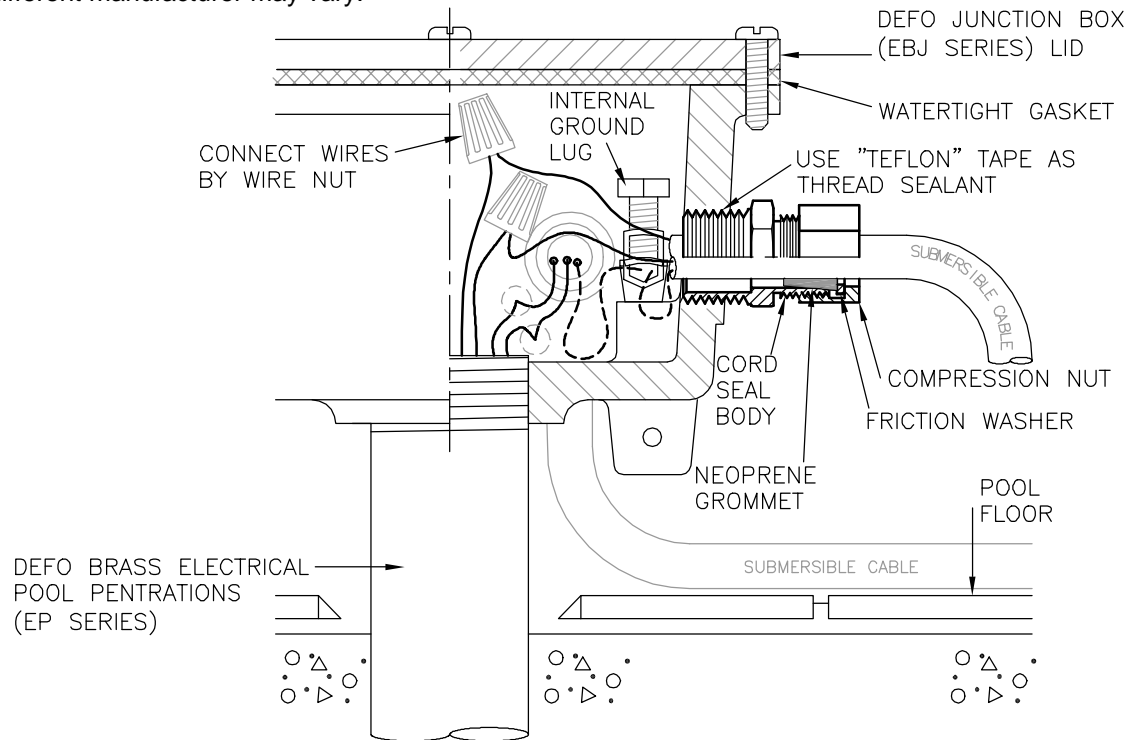
Construction of cord seal body, compression nut and friction washer shall be brass with neoprene grommet.



| DEFO no. | connection<br>n.p.t./b.s.p. | cable size     | awg types<br>(* note 2)     |
|----------|-----------------------------|----------------|-----------------------------|
| EGS052   | 1/2"                        | 23/64" - 7/16" | 18/3, 18/4, 16/3, 16 /4 ... |
| EGS071   | 3/4"                        | 3/8" - 1/2"    | 16/5, 14/3 ...              |
| EGS073   | 3/4"                        | 1/2" - 5/8"    | 14/5, 12/3, 12/4, 10/3 ...  |
| EGS074   | 3/4"                        | 5/8" - 3/4"    | 12/5, 10/4, 8/3 ...         |

## Notes

1. Must be installed by a qualified electrician according to local electrical codes.
2. AWG types shown are for Crystal Fountains products, cable sizes from different manufacturer may vary.



**PROPRIETARY AND CONFIDENTIAL**

THE INFORMATION CONTAINED IN THIS DRAWING IS THE SOLE PROPERTY OF CRYSTAL FOUNTAINS. ANY REPRODUCTION IN PART OR AS A WHOLE WITHOUT THE WRITTEN PERMISSION OF CRYSTAL FOUNTAINS IS PROHIBITED.

SHOP DRAWING  
EGS-D101

www.crystalfountains.com

**Crystal Fountains**

**JUNCTION BOX CORD SEAL**

SERIES  
**EGS**

REV.  
**A**

TEL. (905) 660-6674

FAX. (905) 660-6916

8.30.2003